



LAND



SEA

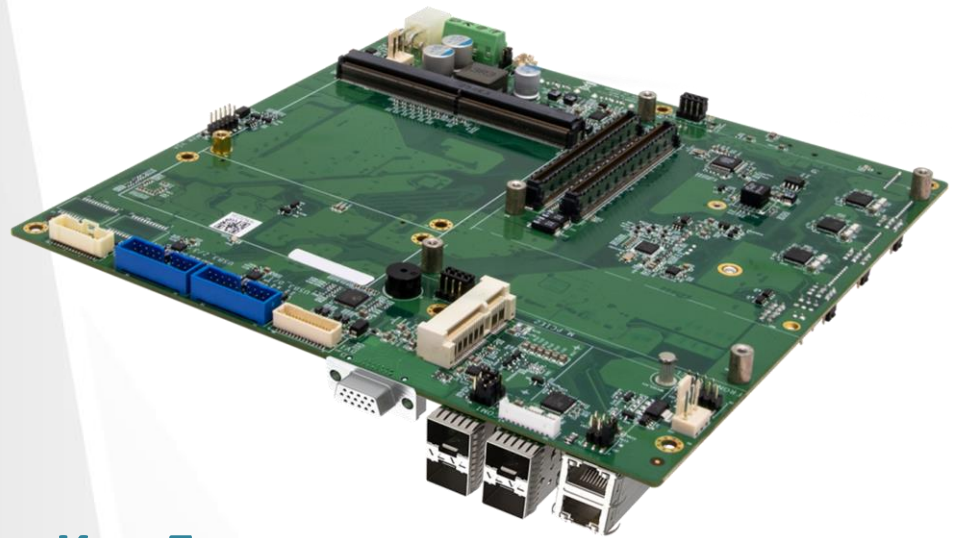


AIR



SK517

COM Express Type 7 Carrier



Key Features

- COM Express Type7 R3.1 support Ice Lake-D LCC family processor
- MXM Type 3.1 Type B(PCIe Gen4 x16)
- PCIe/104 Type 2 Expansion slot (2x PCIe Gen3 x4 + 4x PCIe Gen3 x1)
- 1x M.2 2280 M-Key slot (PCIe Gen3 x4, NVMe)
- 4x 10GbE SFP+ + 2x GbE RJ45
- 4x USB3.0, 1x VGA, 6x RS232
- 2x DP
- 2x SATA3.0
- 8 Bits DIO, I2C
- 2x Full-size mini PCIe (PCIe)
- 9V~36V DC-IN (AT/ATX mode support)

Specifications

PROCESSOR & SYSTEM

COM Express CPU (Type 7)	Intel® Xeon® D-1700 processor (Ice Lake-D LCC) Intel® Xeon® D (Broadwell-DE) Intel Atom® Processor C3000 SoC(Denverton-NS)
Memory type	Base On CPU module
Chipset	Base On CPU module
Watchdog	Base On CPU module

DISPLAY

Internal Display Port	2 x Display Port outputs from MXM GPU
VGA	1 x VGA(Through BMC to convert VGA signal)/VGA: resolution up to 1920 x 1200 x 32bpp (share with SOC 16MB memory)

ETHERNET

RJ45 GbE LAN	2 x GbE (one from module; another from BMC for remote management)
10GbE SFP+	4 (Intel C827 10G Retimer)

EXPANSION

MXM	1 (MXM3.1 Type B)
PCIe/104	1 (Type 2, 2x PCIe Gen3 x4 + 4x PCIe Gen3 x1)
mPCIe	2 x Full-size mini PCIe Expansion Slot
M.2	1 x M.2 2280 M-Key Slot (PCIe x4 GEN3, NVMe)
SIM Slot	2

REAR I/O

10GbE SFP+	4
Terminal Block DIP 1x4P	1 (Vin: 2PIN; GND: 2PIN)

INTERNAL I/O

Display Port Header	2 (1x20Pin)
SATA Port (Standard 7Pin)	2 (up to 6Gb/s)
SATA Power	2
COM (RS232)	6 (2 TX/RX form COMe module)
USB 3.0 (2x10Pin)	2

Front Panel (2x5Pin)	1
Smart Fan	2 (1 x CPU Fan, 1 x System Fan)
I2C(1x 4pin)	1
DIO (1x10pin)	8 Bits (4DI/4DO)
Battery Header	1
eSPI/LPC Header	1 (1x10P 2.0mm)

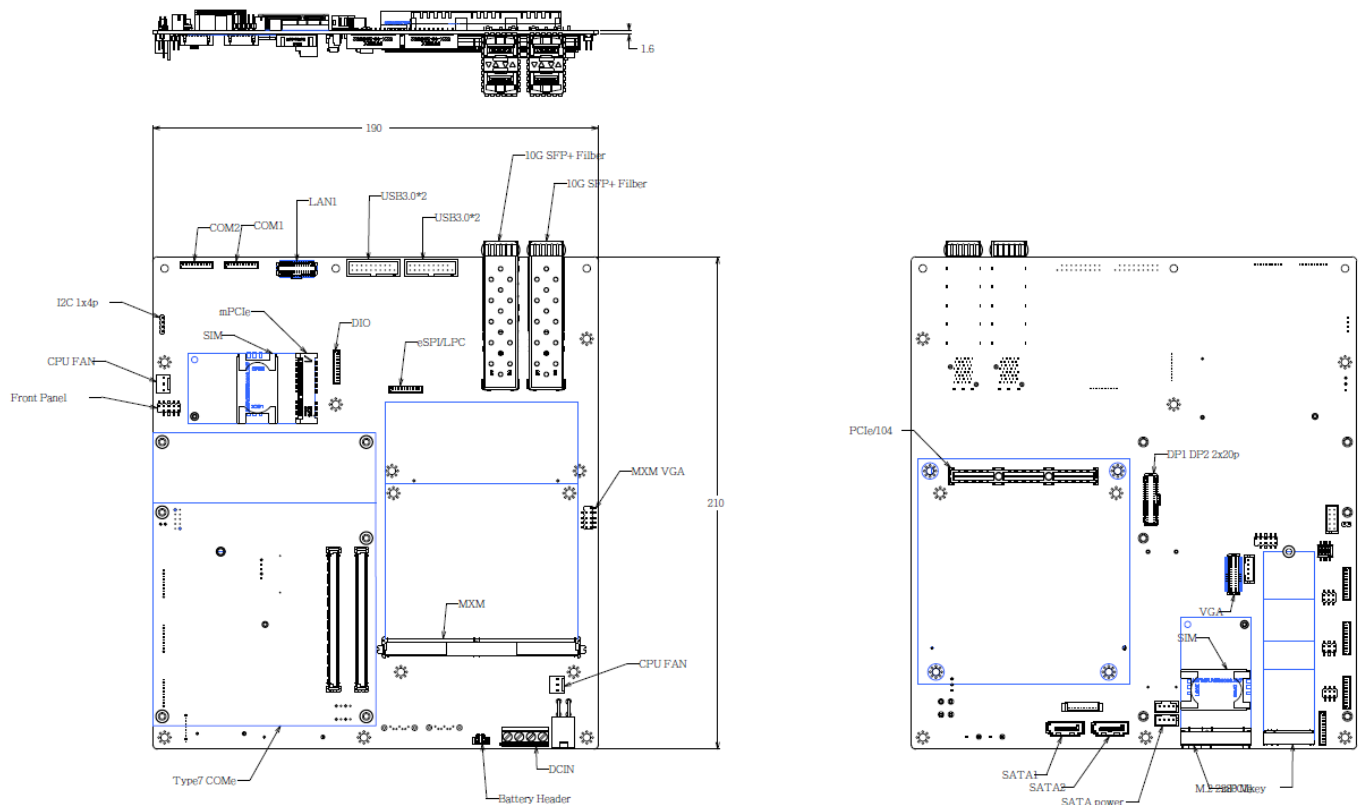
POWER MANAGEMENT

Sleep State	S0, S1, S4, S5
-------------	----------------

MECHANICAL AND ENVIRONMENTAL

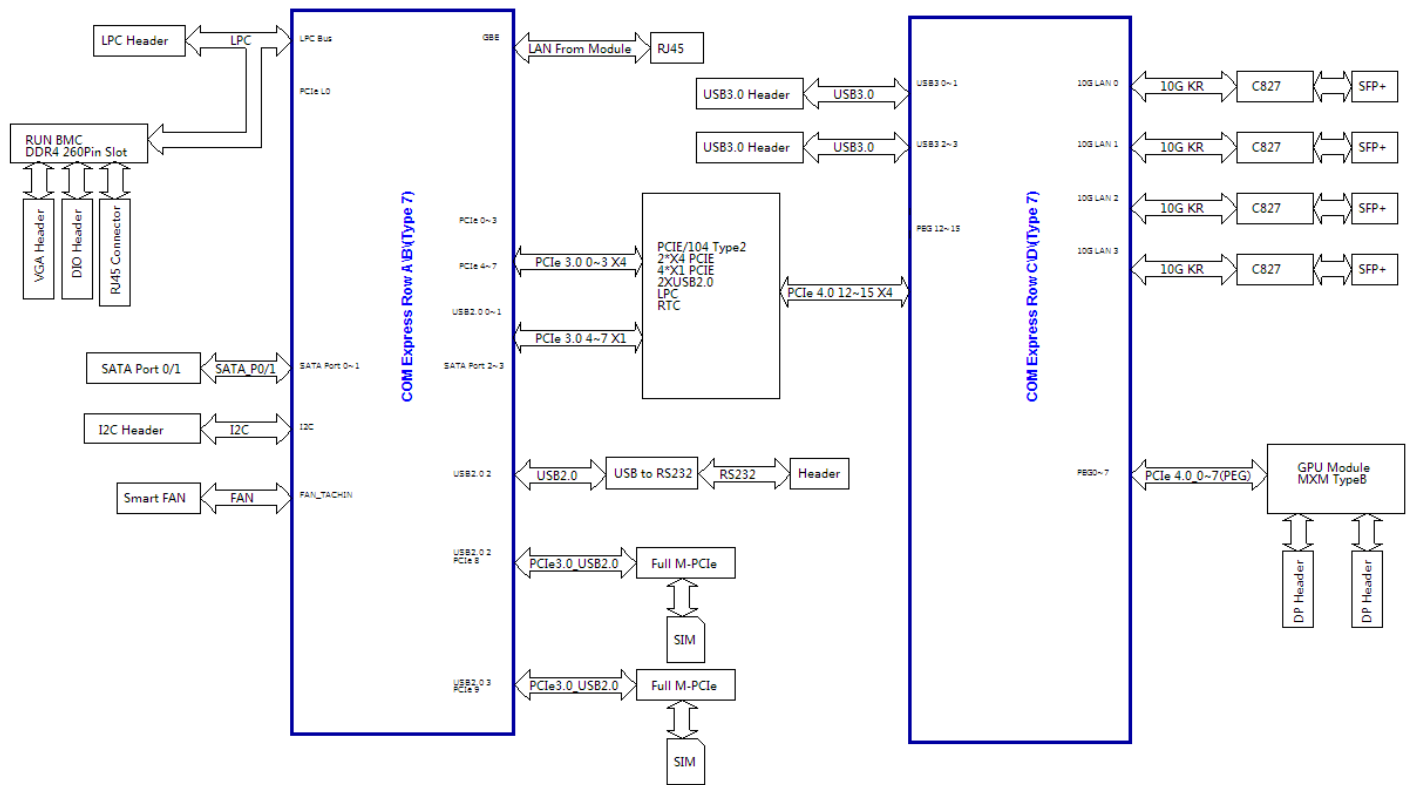
Power Type	Wide Voltage DC-IN 9V~36V (Support AT/ATX mode)
Dimension	190 x 210 mm
Operating Temp.	- 40°C~ 85°C
Storage Temp.	-40°C ~ 85°C
Relative Humidity	5% to 95%, non-condensing

Placement



Diagram

SK517 BLOCK DIAGRAM



Ordering Information

COMe Type	Model Name	Configuration
Type7	SK517-T717Q03	CPU Board : D-1746TER / MXM GPU : Quadro A4500
	SK517-T718Q02	CPU Board : D-1735TR / MXM GPU : Quadro A2000
	SK517-T719Q02	CPU Board : D-1732TE / MXM GPU : Quadro A2000
	SK517-T714G03	CPU Board : D-1559 / MXM GPU : Geforce RTX3080Tim
	SK517-T715G02	CPU Board : D-1539 / MXM GPU : Geforce RTX3060
	SK517-T715G01	CPU Board : D-1539 / MXM GPU : Geforce RTX1050Ti
	SK517-T713Q03	CPU Board : D-1577 / MXM GPU : Quadro A4500
	SK517-T716Q02	CPU Board : D-1548 / MXM GPU : Quadro A2000
	SK517-T722A01	CPU Board : C3808 / MXM GPU : Intel Arc A730M
	SK517-T723A02	CPU Board : C3708 / MXM GPU : Intel Arc A370M
	SK517-T724A01	CPU Board : C3958 / MXM GPU : Intel Arc A730M
	SK517-T725A02	CPU Board : C3858 / MXM GPU : Intel Arc A370M