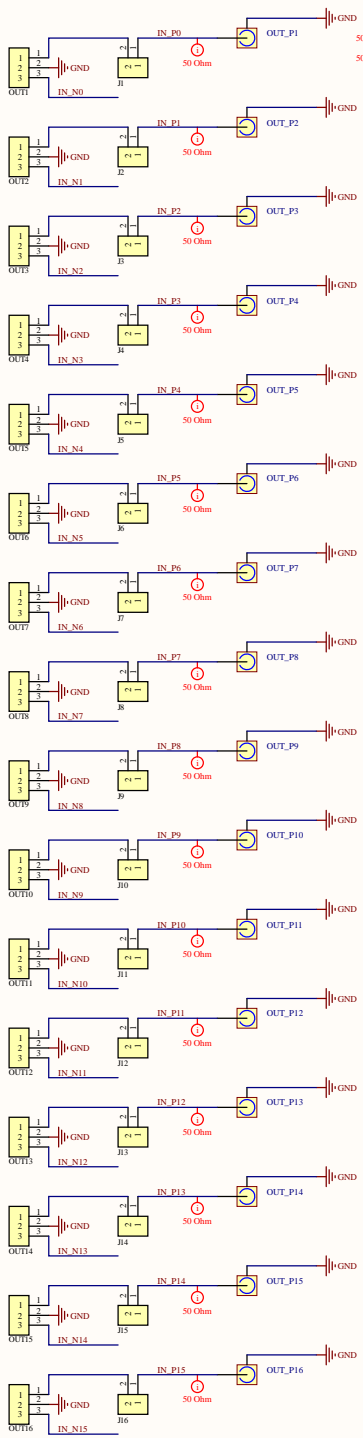
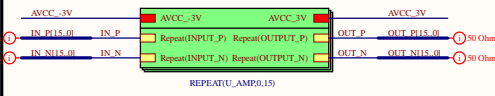


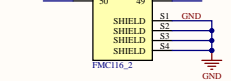
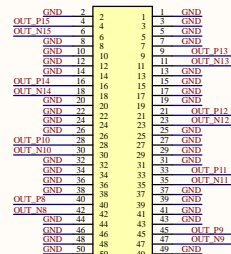
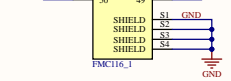
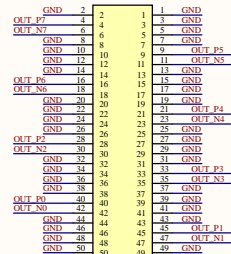
### Inputs



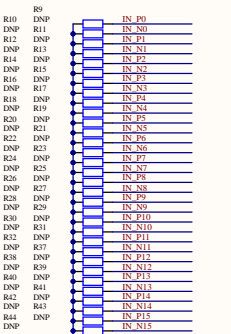
### Amplifiers



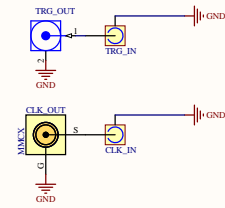
### FMC116



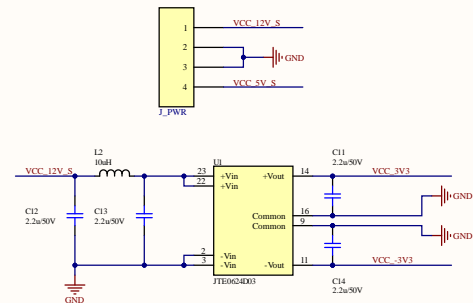
### ESD



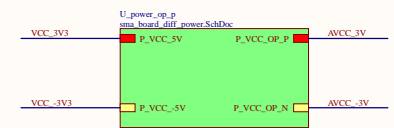
### Timing



### Main Power

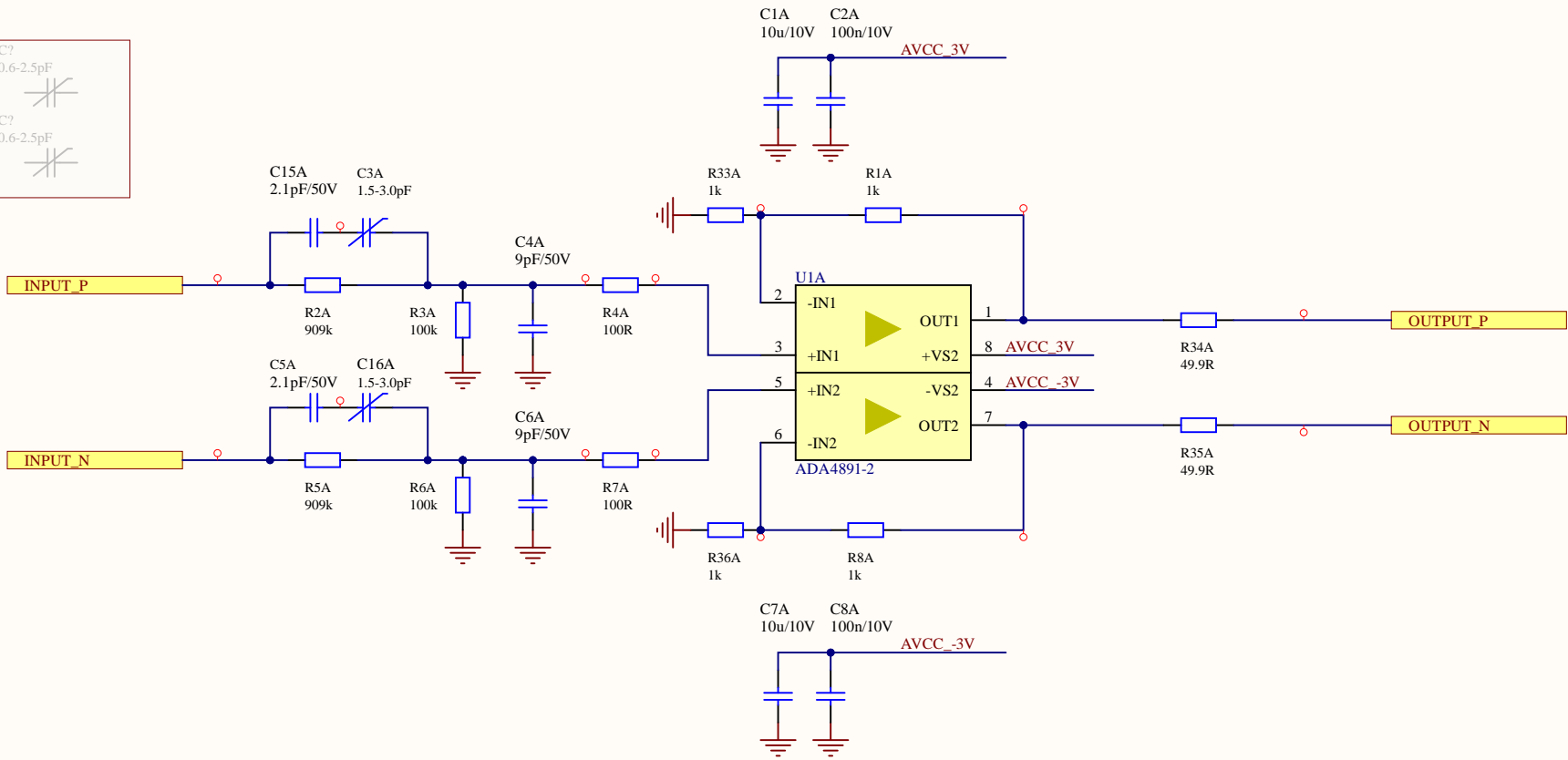
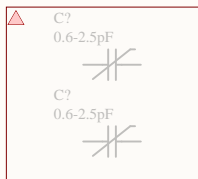


### Analog Power

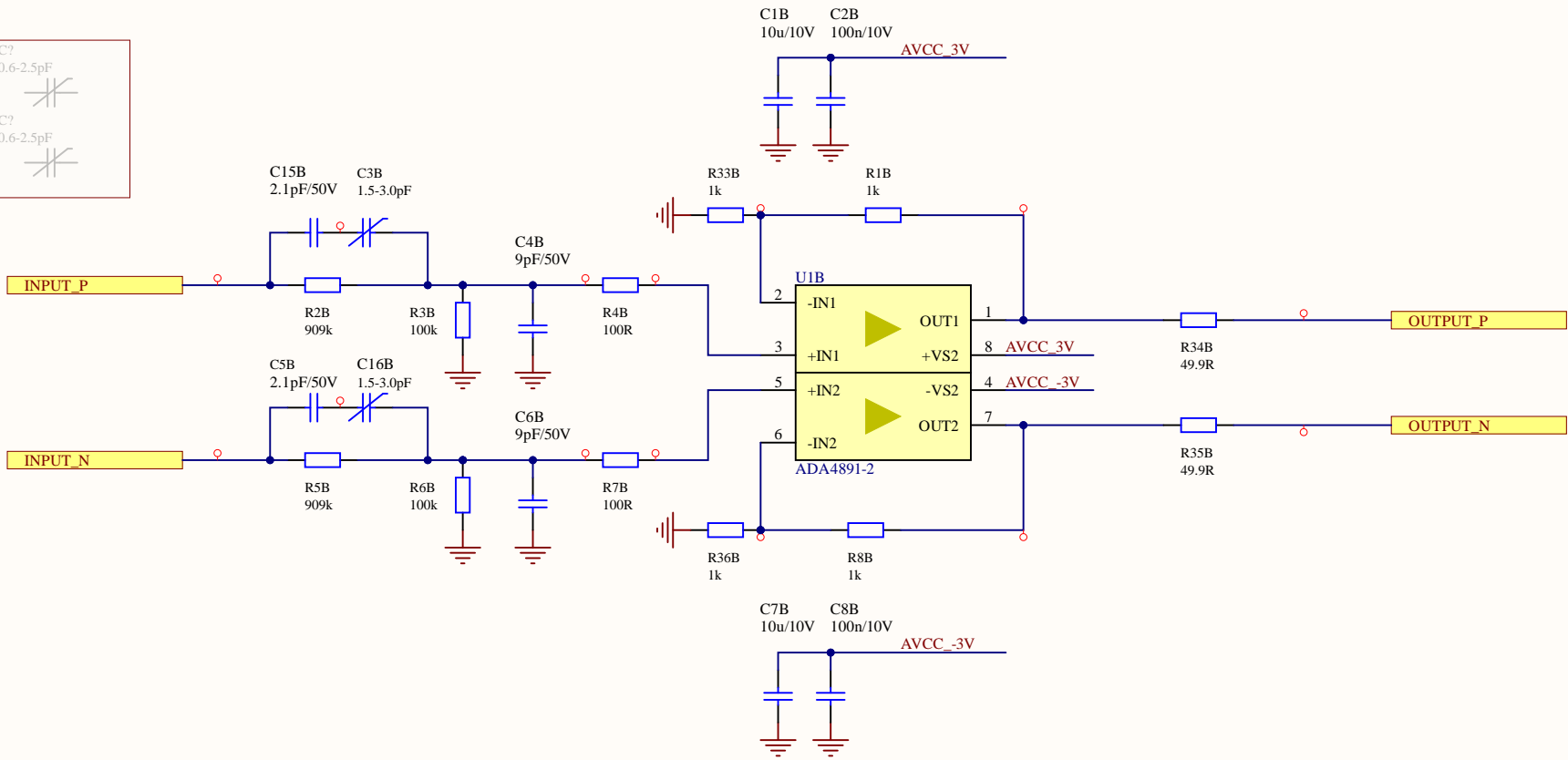
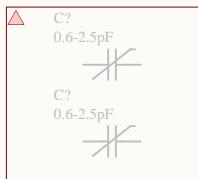
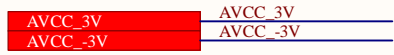


Title		
Size	Number	Revision
A2		
Date:	7/11/2026	Sheet of
File:	C:\Users\uma_board_diff_top\SchDoc	Drawn By:

AVCC\_3V  
AVCC\_-3V

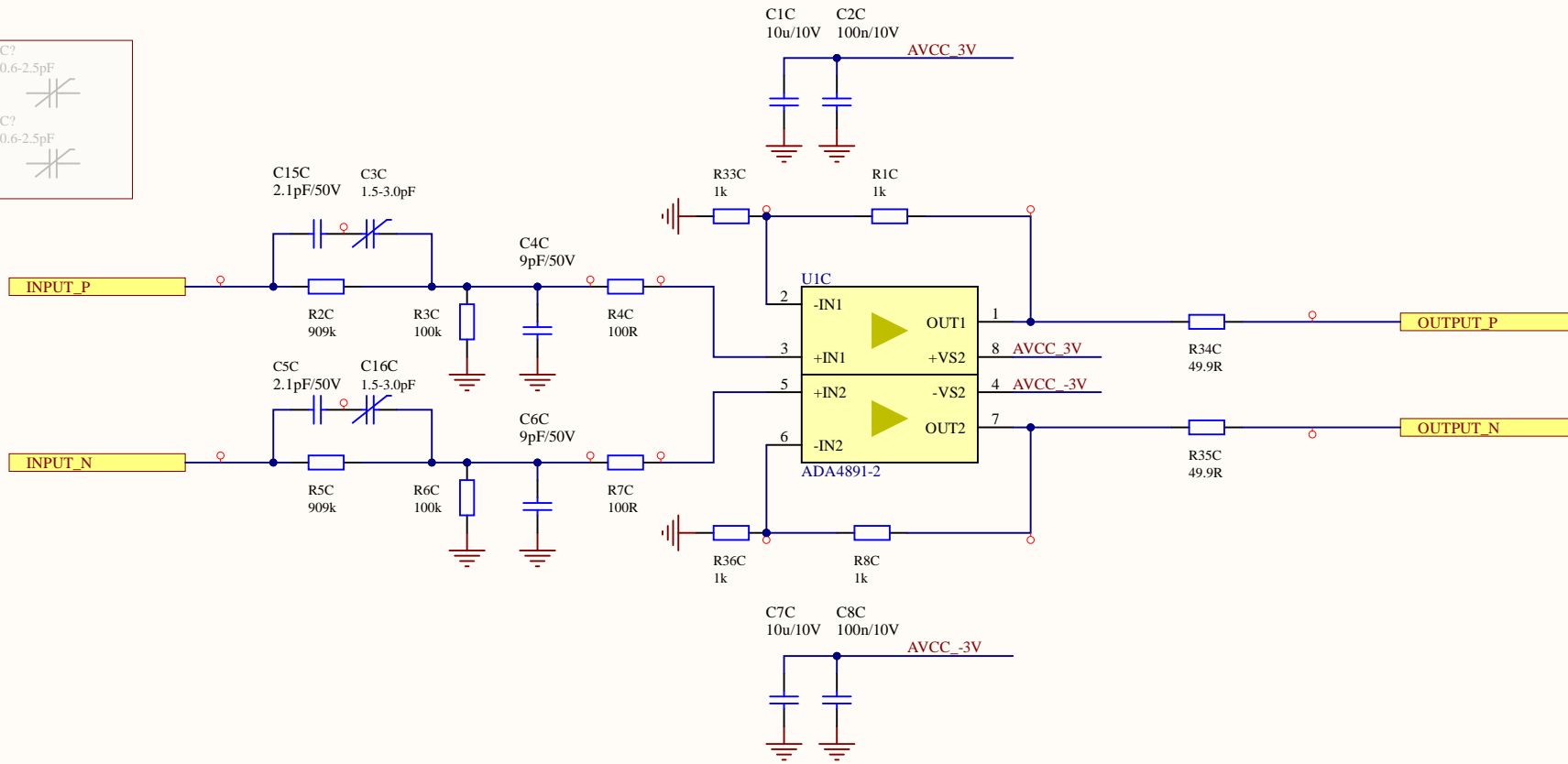
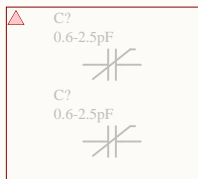


Title		
Size A4	Number	Revision
Date: 7/01/2026	Sheet of	
File: C:\Users\...\sma-board_opamp.SchDoc	Drawn By:	

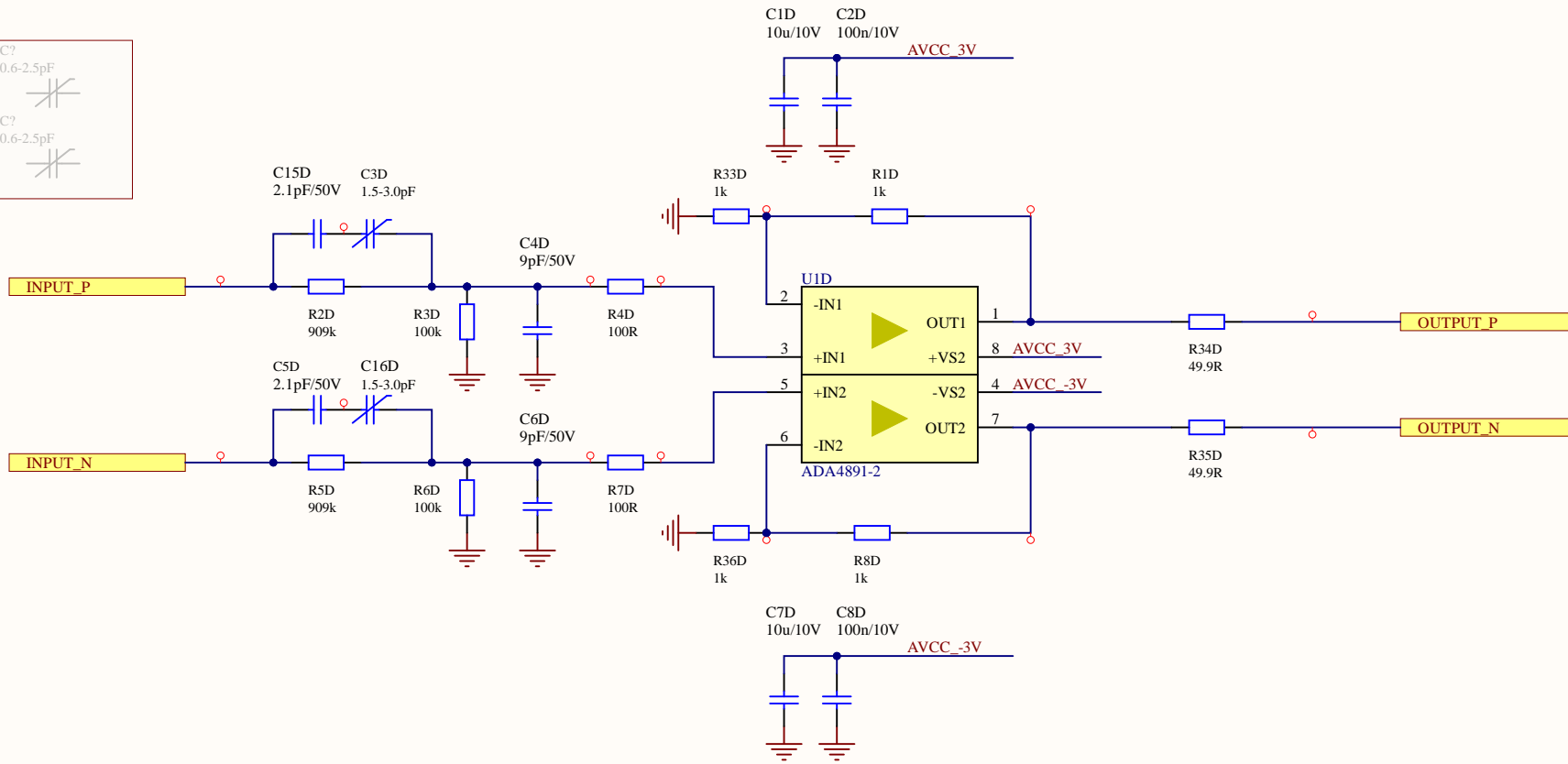
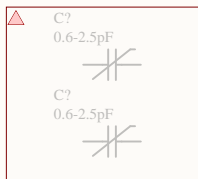
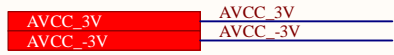


Title		
Size A4	Number	Revision
Date: 7/01/2026	Sheet of	
File: C:\Users\...\sma-board_opamp.SchDoc	Drawn By:	

AVCC_3V	AVCC_3V
AVCC_-3V	AVCC_-3V

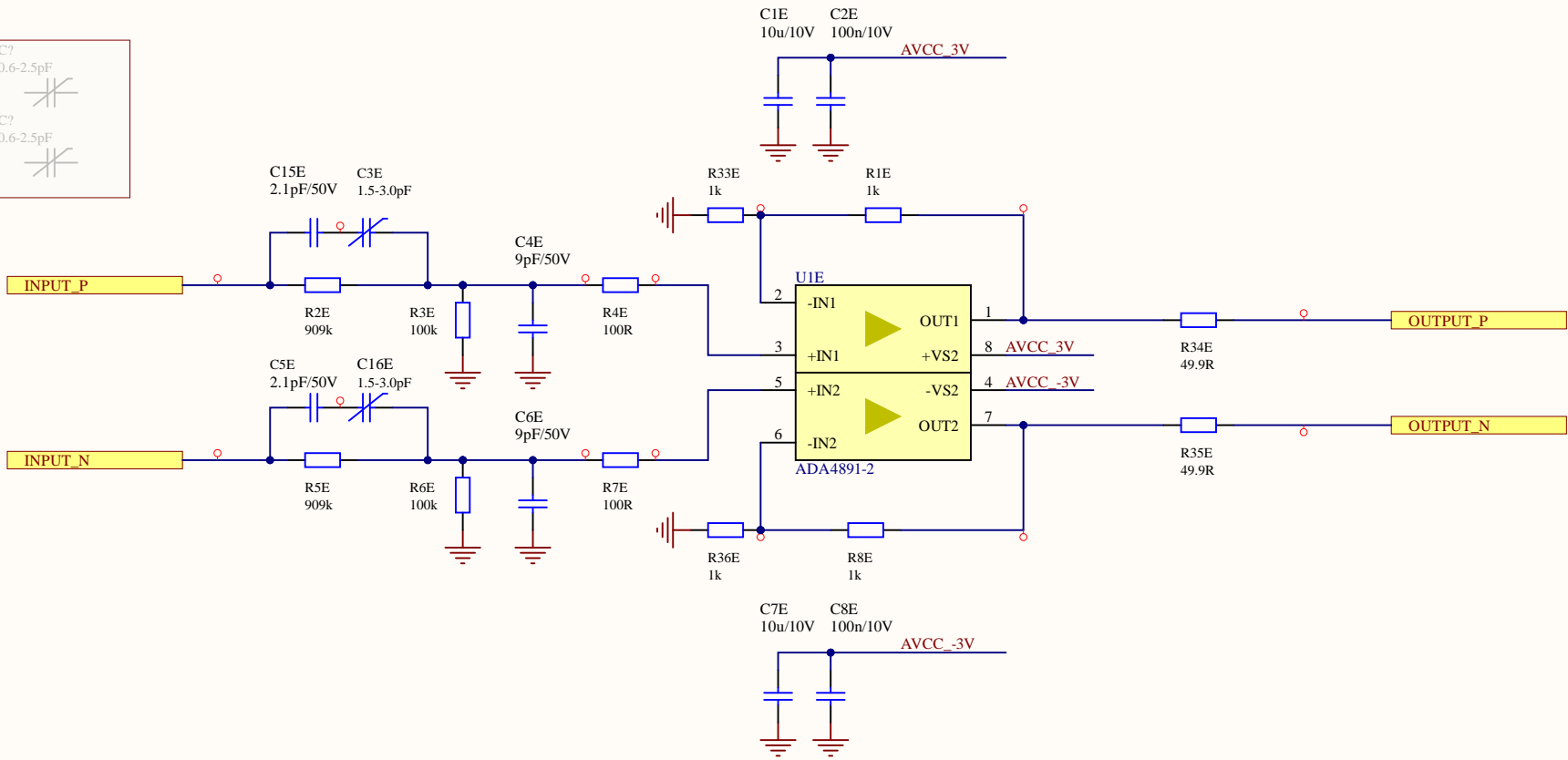
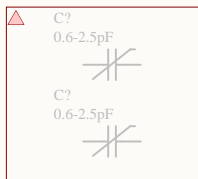


Title		
Size	Number	Revision
A4		
Date:	7/01/2026	Sheet of
File:	C:\Users\...\sma-board_opamp.SchDoc	Drawn By:

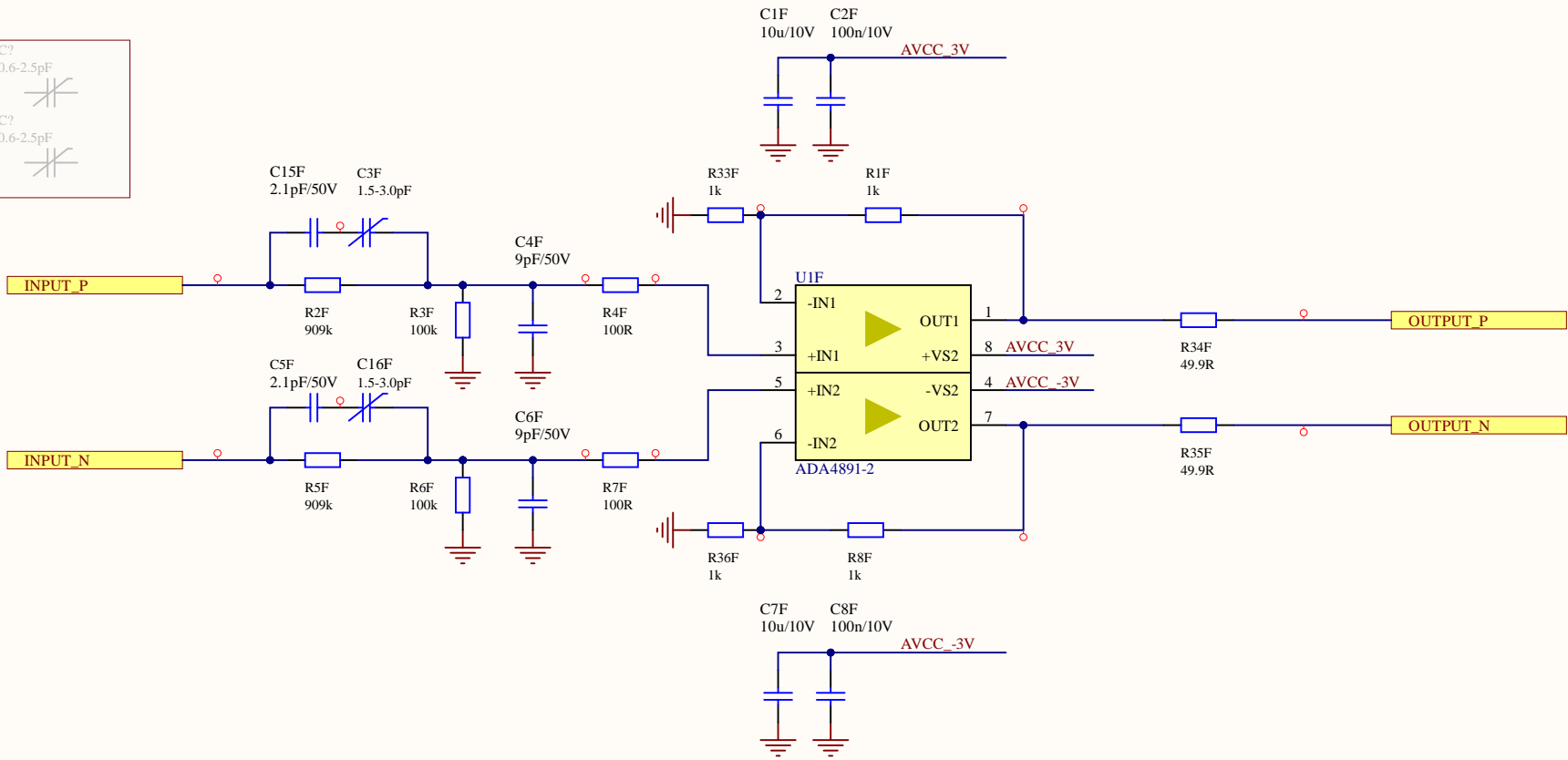
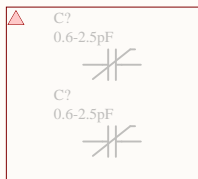
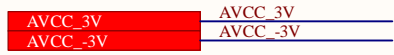


Title		
Size A4	Number	Revision
Date: 7/01/2026	Sheet of	
File: C:\Users\...\sma-board_opamp.SchDoc	Drawn By:	

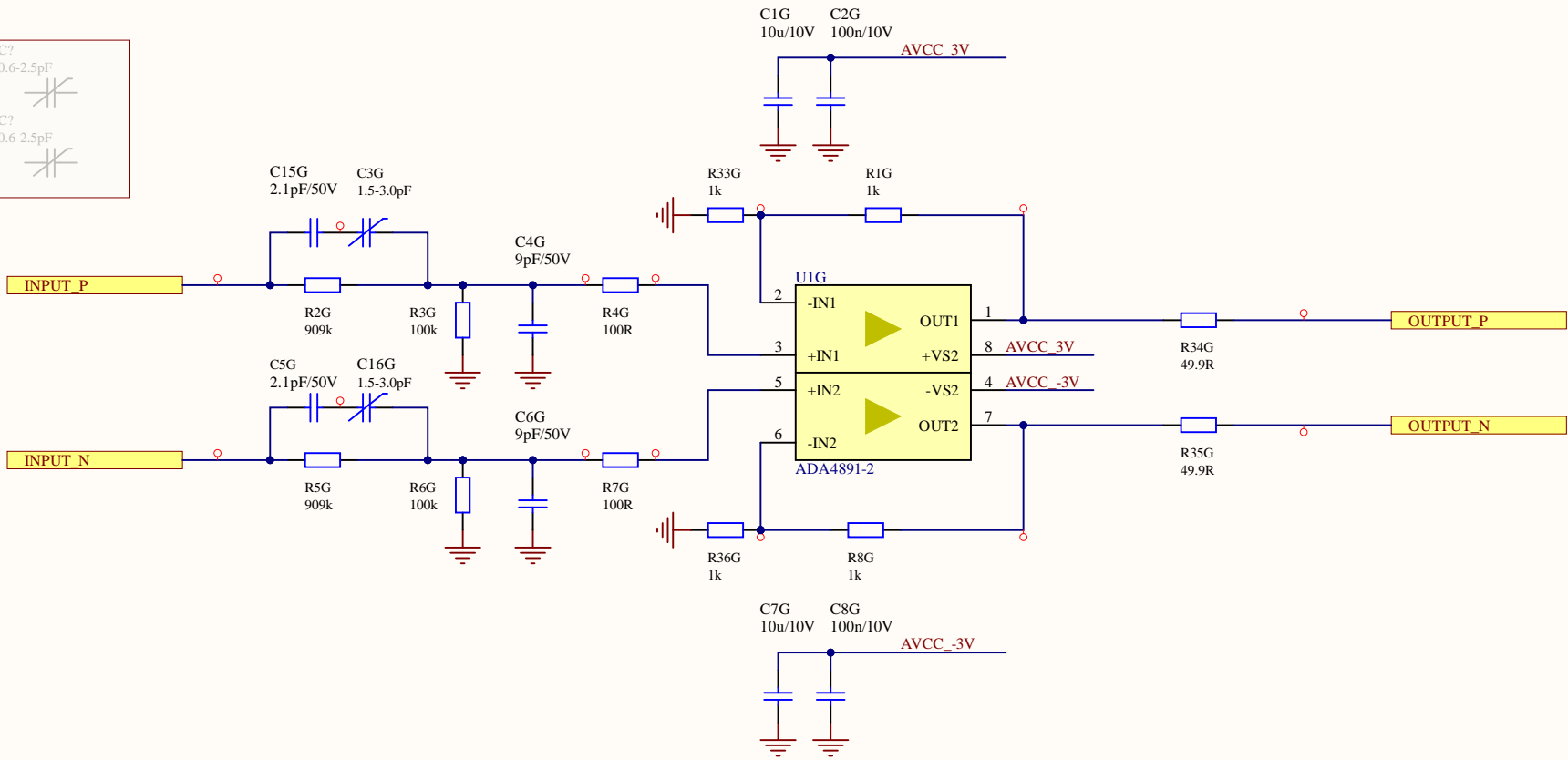
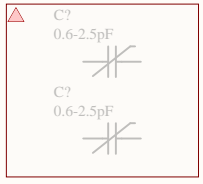
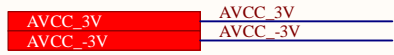
AVCC\_3V  
 AVCC\_-3V



Title		
Size A4	Number	Revision
Date: 7/01/2026	Sheet of	
File: C:\Users\...\sma-board_opamp.SchDoc	Drawn By:	

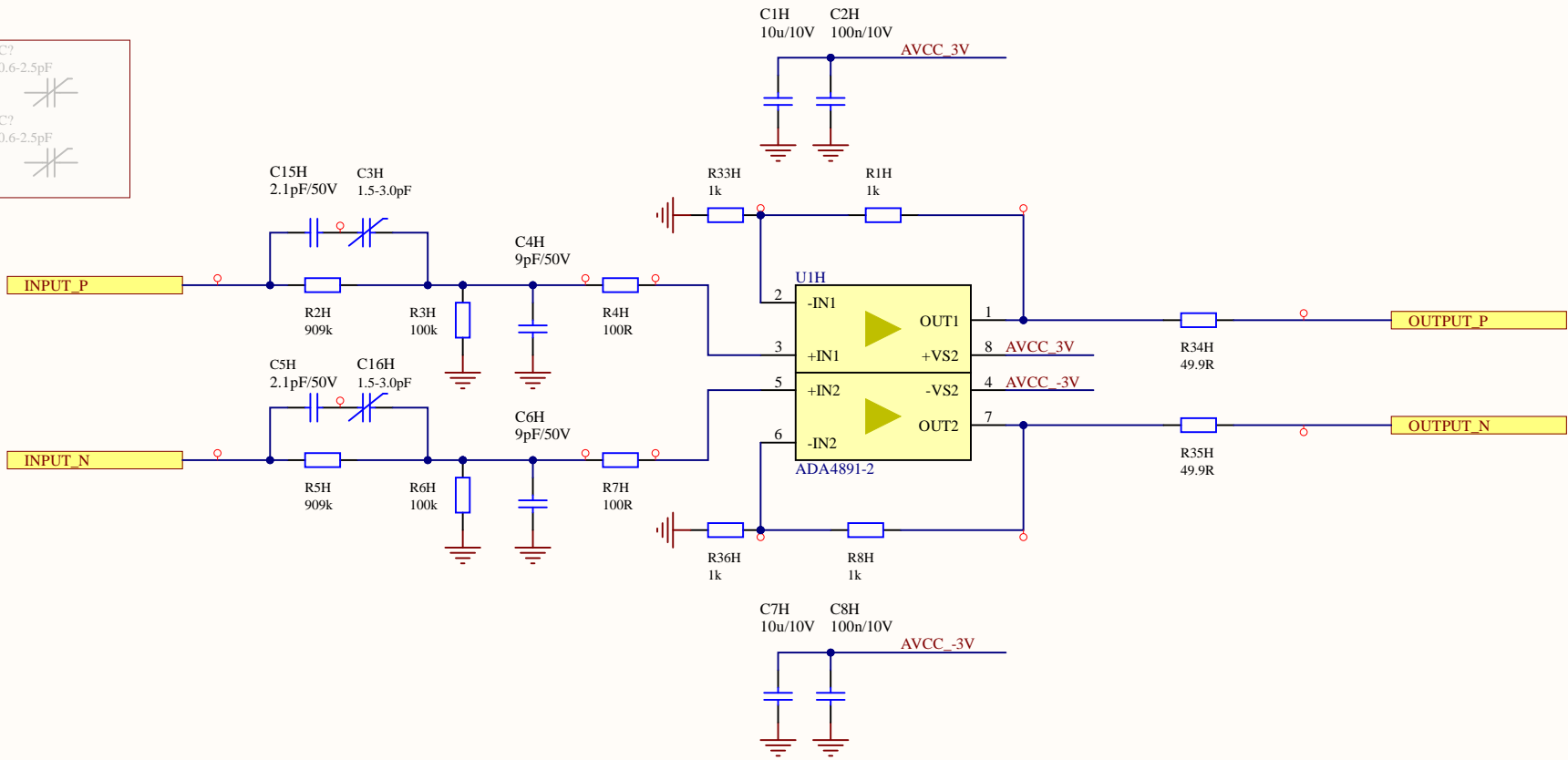
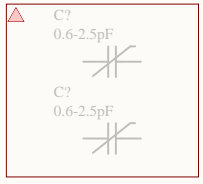


Title		
Size A4	Number	Revision
Date: 7/01/2026	Sheet of	
File: C:\Users\...\sma-board_opamp.SchDoc	Drawn By:	

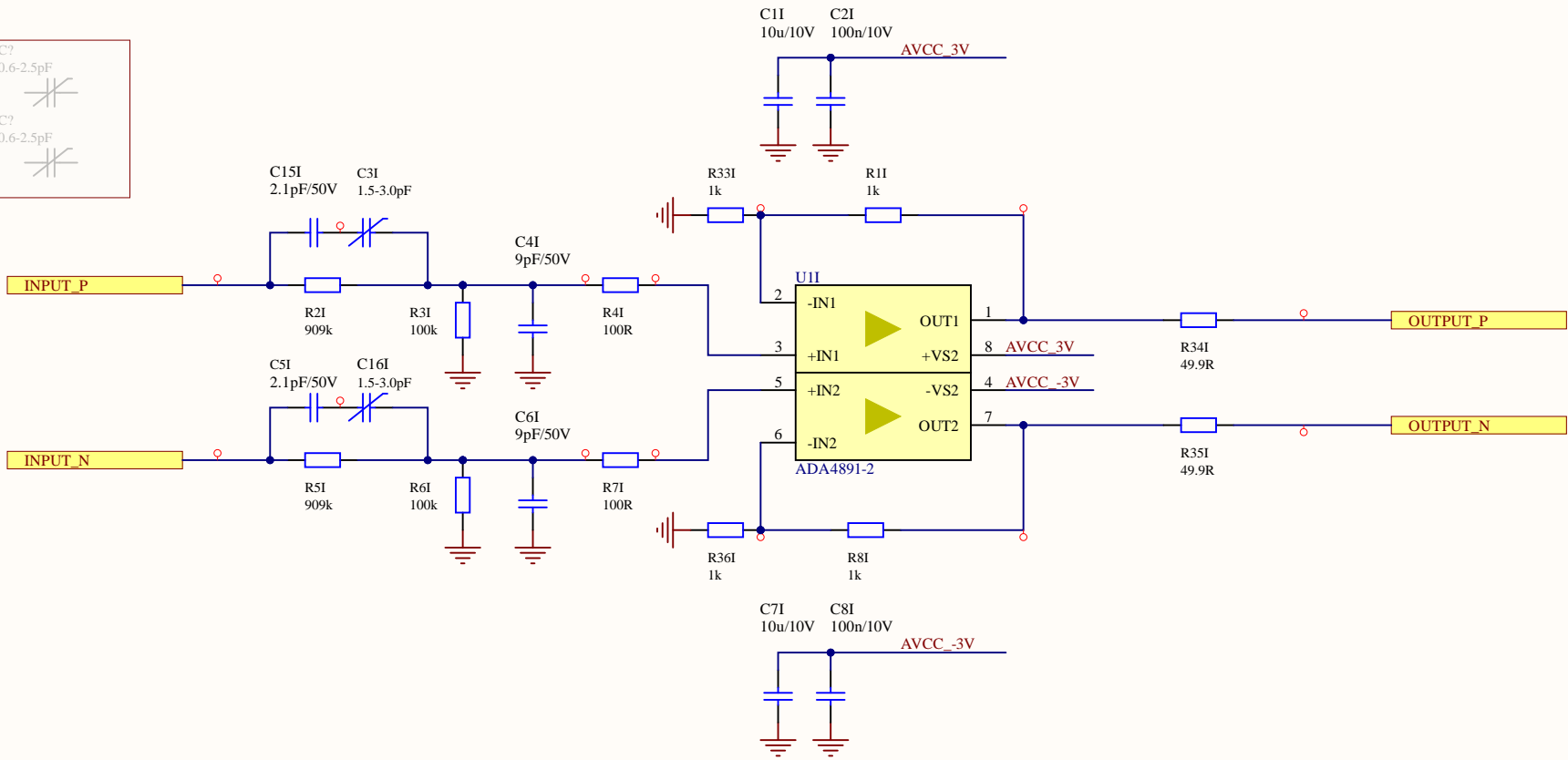
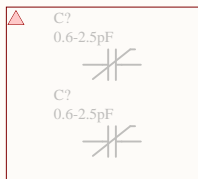
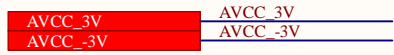


Title		
Size A4	Number	Revision
Date: 7/01/2026	Sheet of	
File: C:\Users\...\sma-board_opamp.SchDoc	Drawn By:	

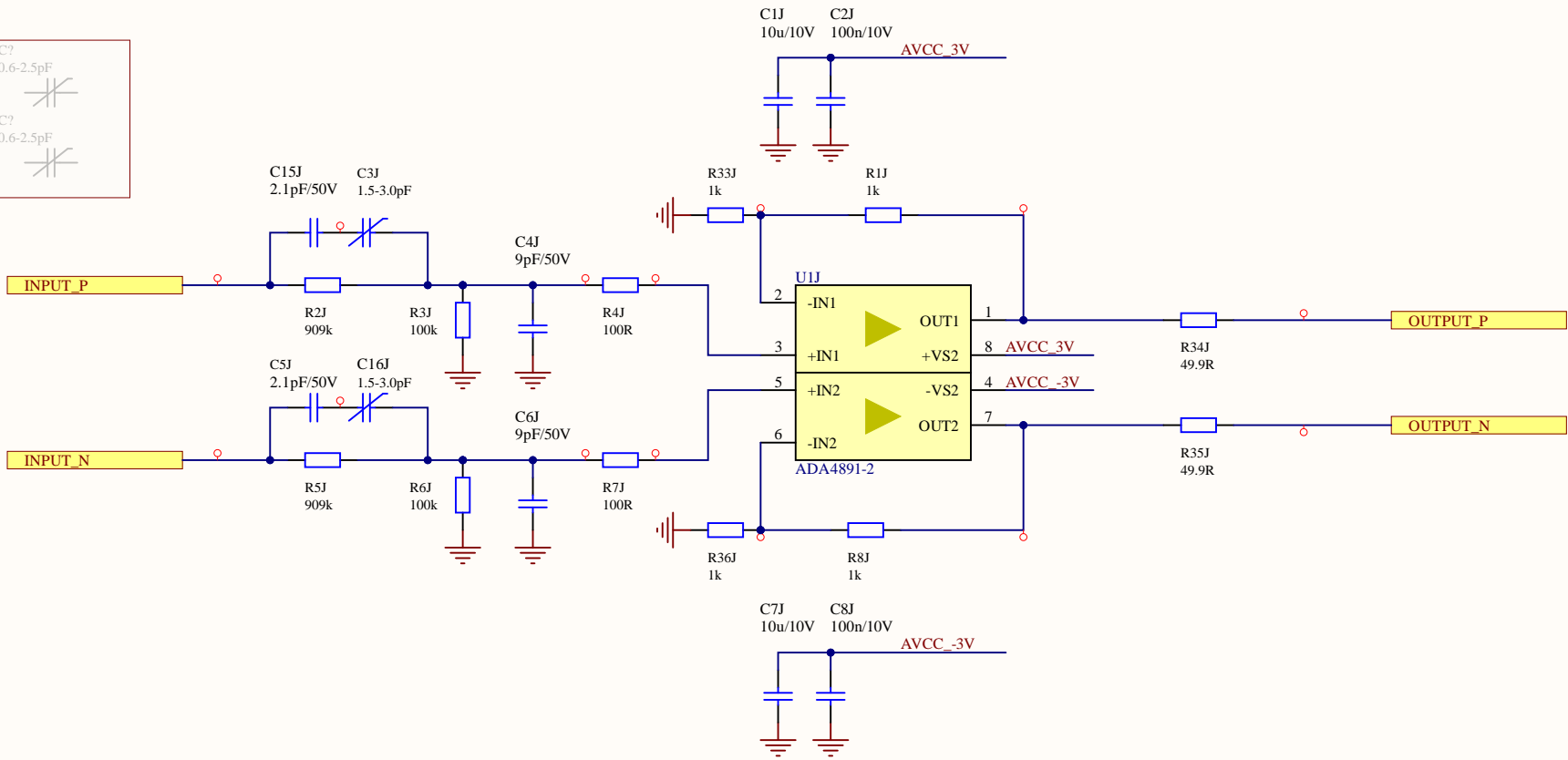
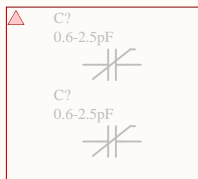
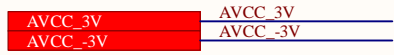
AVCC\_3V  
AVCC\_-3V



Title		
Size A4	Number	Revision
Date: 7/01/2026	Sheet of	
File: C:\Users\...\sma-board_opamp.SchDoc	Drawn By:	

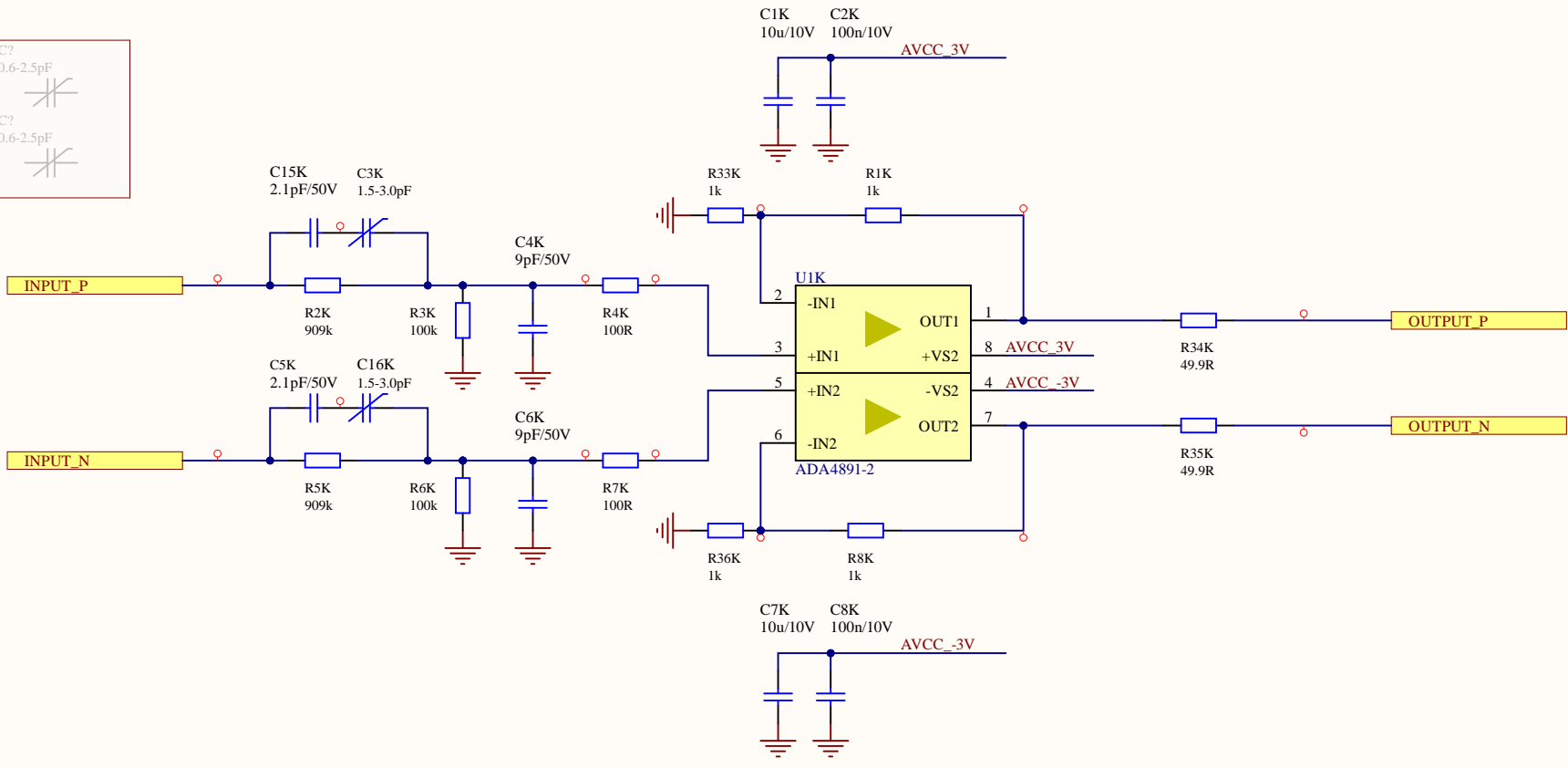
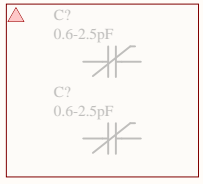


Title		
Size A4	Number	Revision
Date: 7/01/2026	Sheet of	
File: C:\Users\...\sma-board_opamp.SchDoc	Drawn By:	



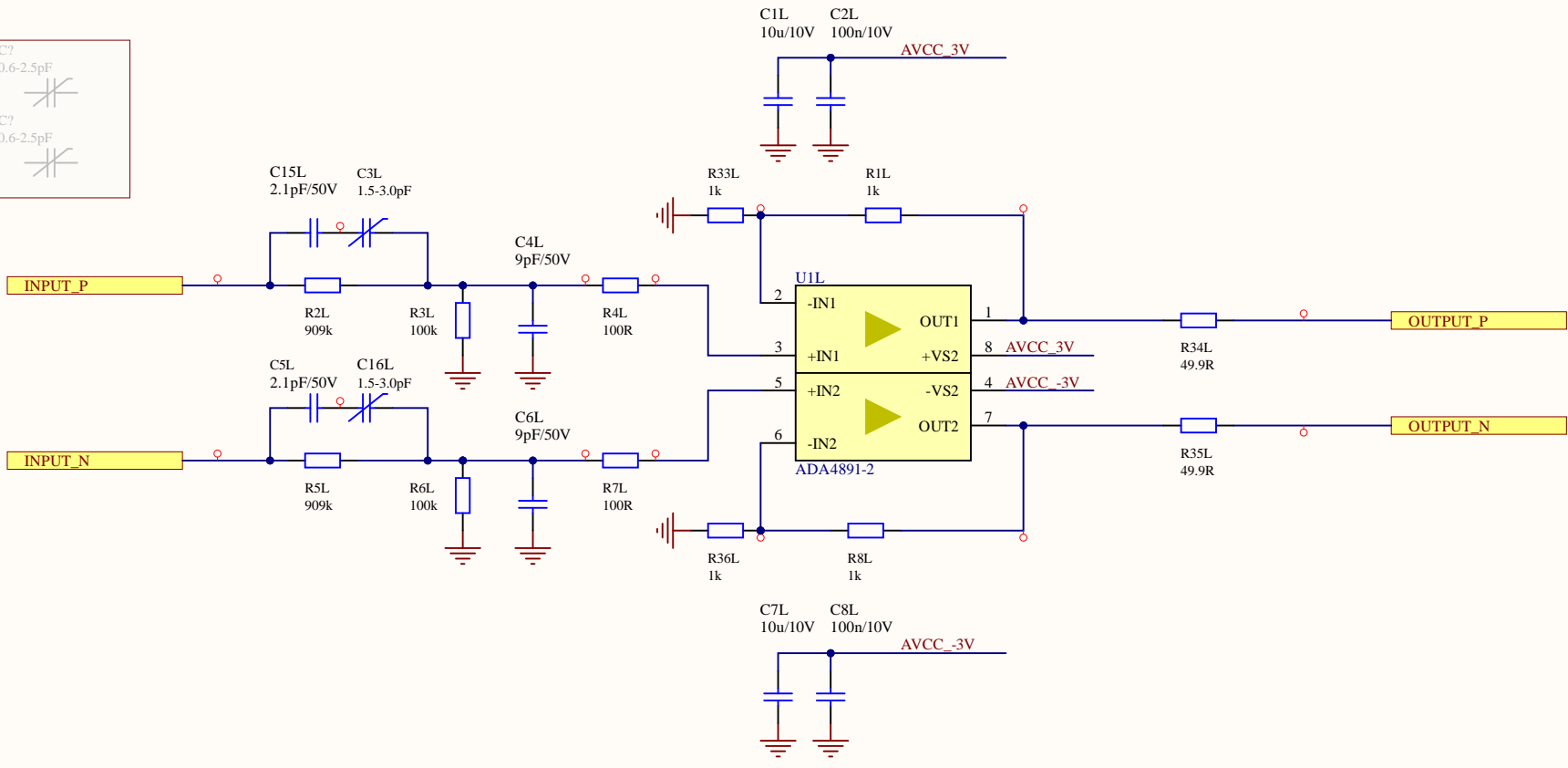
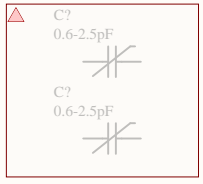
Title		
Size A4	Number	Revision
Date: 7/01/2026	Sheet of	
File: C:\Users\...\sma-board_opamp.SchDoc	Drawn By:	

AVCC\_3V  
AVCC\_-3V



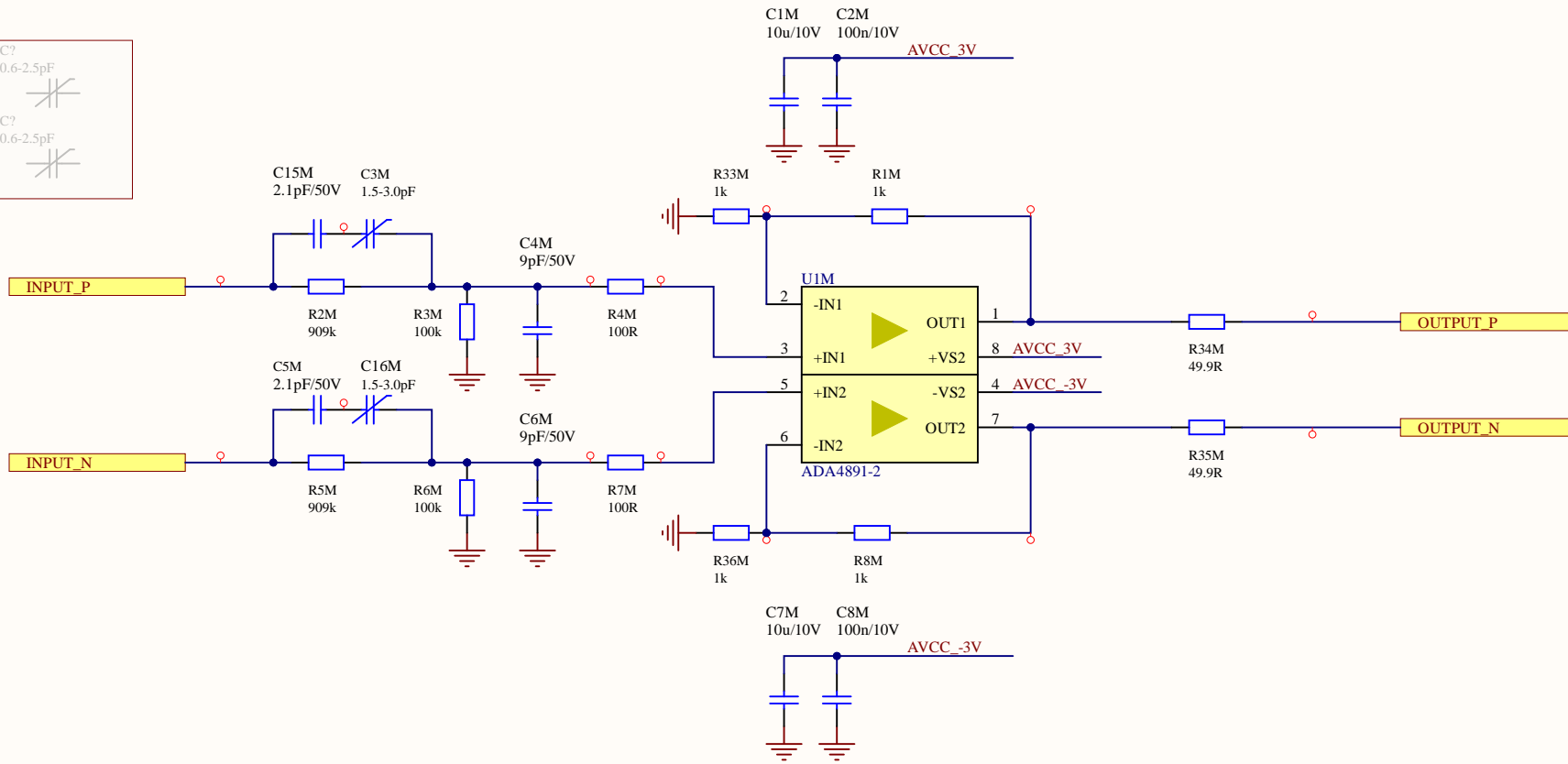
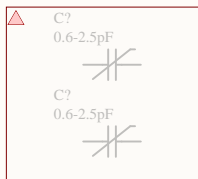
Title		
Size A4	Number	Revision
Date: 7/01/2026	Sheet of	
File: C:\Users\...\sma-board_opamp.SchDoc	Drawn By:	

AVCC\_3V  
AVCC\_-3V



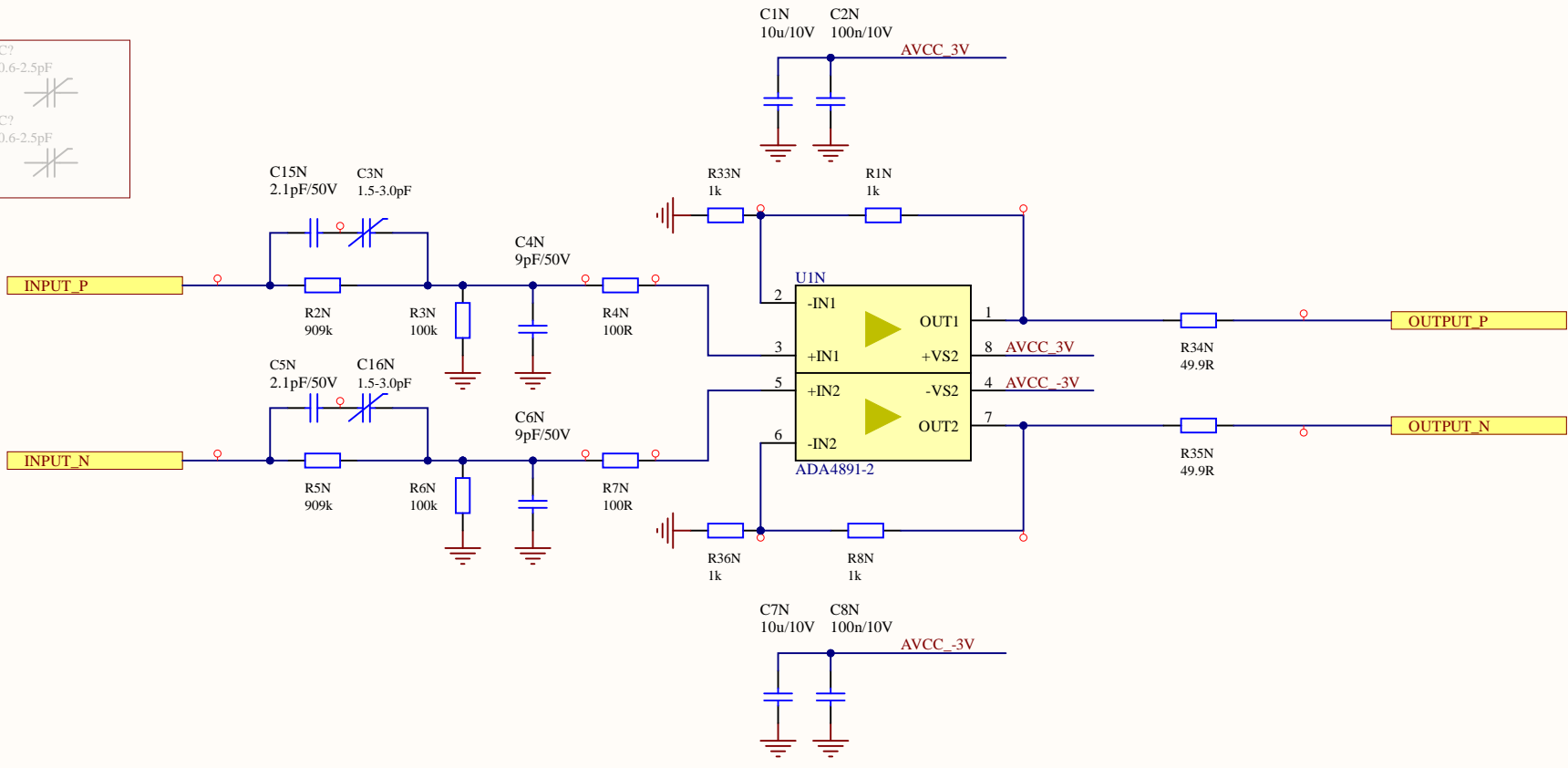
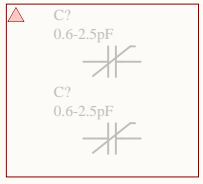
Title		
Size A4	Number	Revision
Date: 7/01/2026	Sheet of	
File: C:\Users\...\sma-board_opamp.SchDoc	Drawn By:	

AVCC\_3V  
AVCC\_-3V



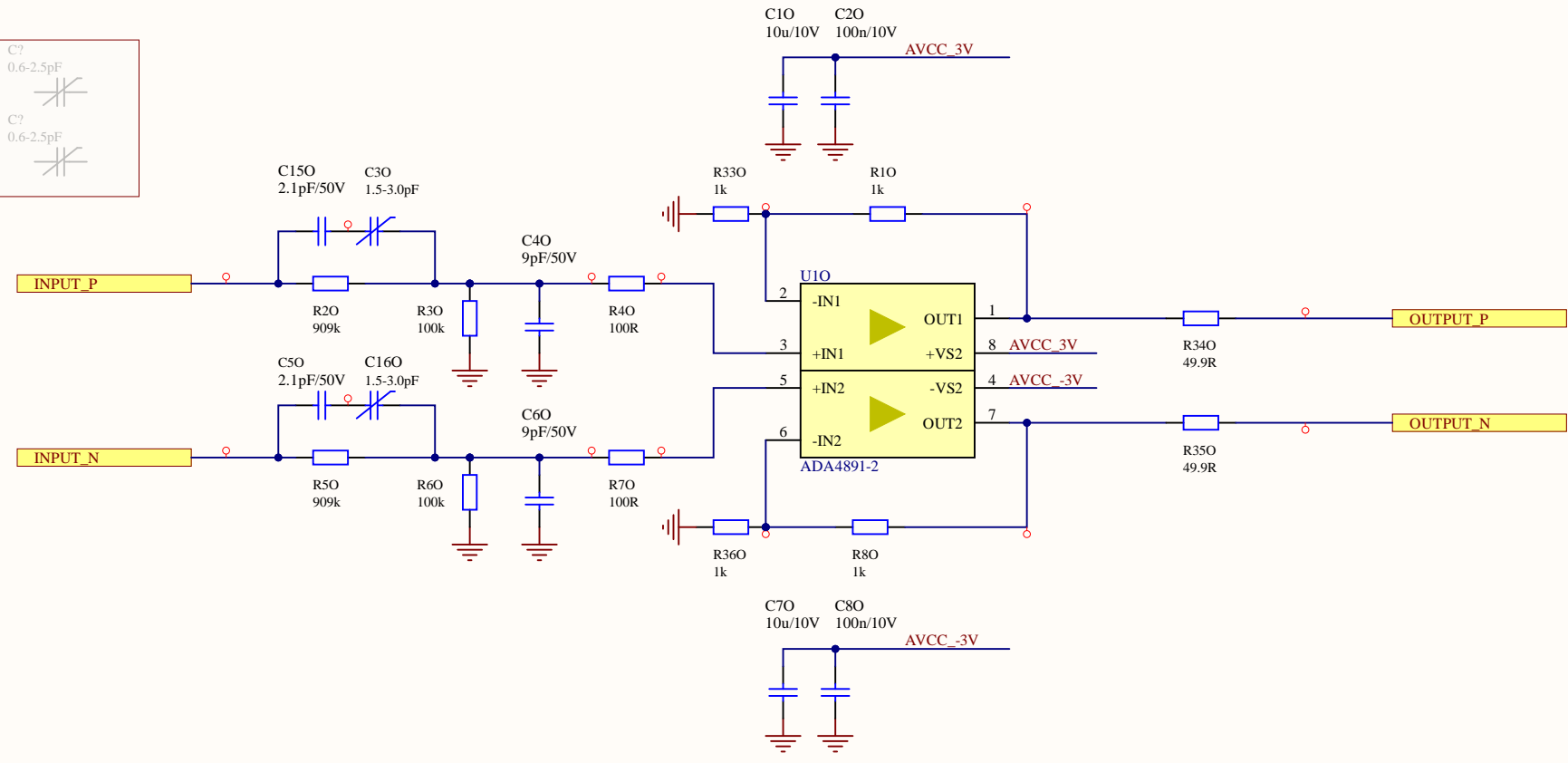
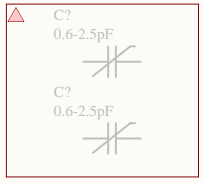
Title		
Size A4	Number	Revision
Date: 7/01/2026	Sheet of	
File: C:\Users\...\sma-board_opamp.SchDoc	Drawn By:	

AVCC\_3V  
 AVCC\_-3V

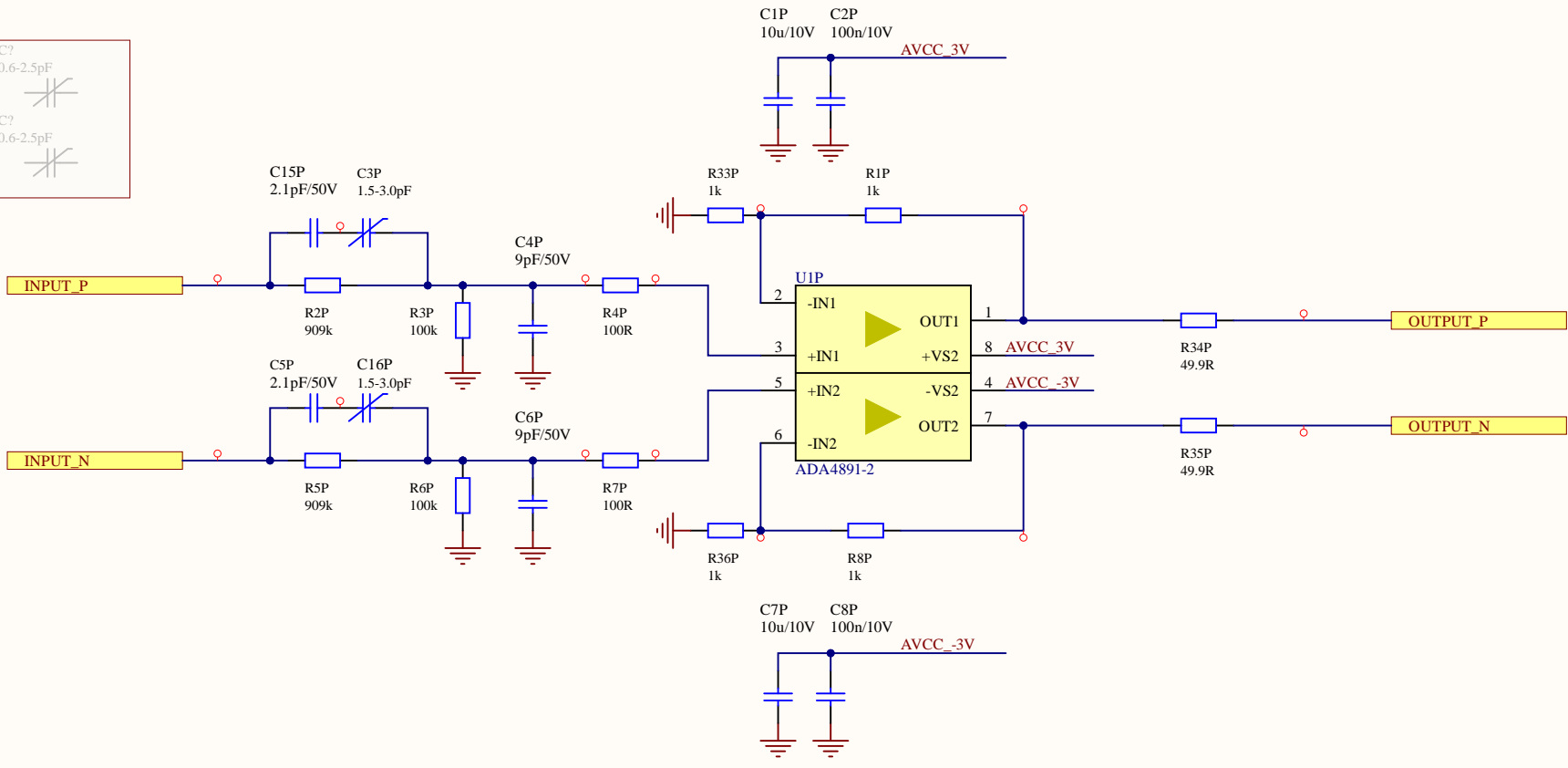
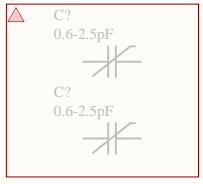
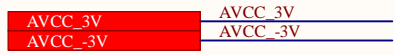


Title		
Size A4	Number	Revision
Date: 7/01/2026	Sheet of	
File: C:\Users\...\sma-board_opamp.SchDoc	Drawn By:	

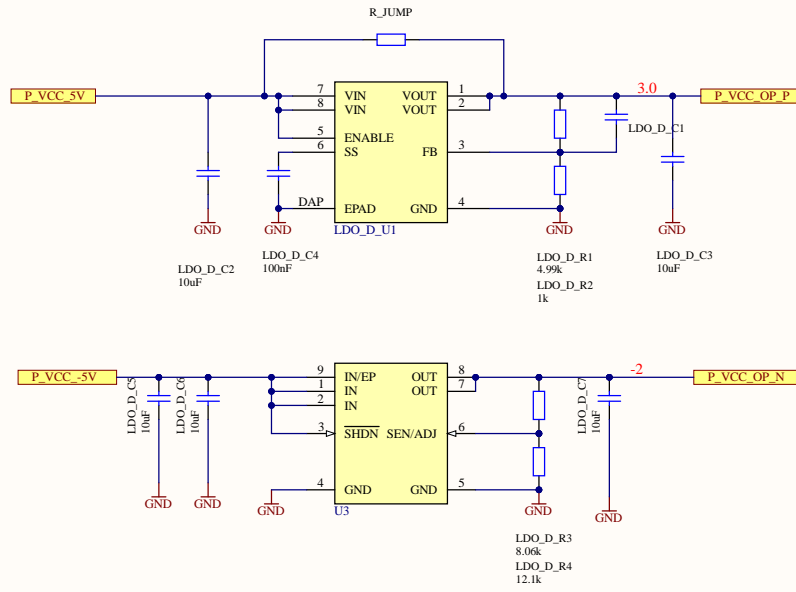
AVCC\_3V  
 AVCC\_-3V



Title		
Size A4	Number	Revision
Date: 7/01/2026	Sheet of	
File: C:\Users\...\sma-board_opamp.SchDoc	Drawn By:	



Title		
Size A4	Number	Revision
Date: 7/01/2026	Sheet of	
File: C:\Users\...\sma-board_opamp.SchDoc	Drawn By:	



Title		
Size	Number	Revision
A3		
Date:	7/01/2026	Sheet of
File:	C:\Users\...\sma_board_diff_power.SchDoc	Drawn By: